

**BALDOR® • RELIANCE** 

**Product Information Packet**

**VJPFPM2550T-2/4**

**100HP,3530RPM,3PH,60HZ,365JP,4260M,OPSB**

Part Detail							
Revision:	D	Status:	PRD/A	Change #:		Proprietary:	No
Type:	AC	Elec. Spec:	42WGW983	CD Diagram:	CD0104	Mfg Plant:	
Mech. Spec:	42E361	Layout:	42LYE361	Poles:	02	Created Date:	03-20-2017
Base:	N	Eff. Date:	11-07-2019	Leads:	12#6		

Specs			
Catalog Number:	VJPFPM2550T-2/4	Inverter Code:	Not Inverter
Enclosure:	OPSB	KVA Code:	F
Frame:	365JP	Lifting Lugs:	Vertical Lifting Lugs
Frame Material:	Steel	Locked Bearing Indicator:	Locked Bearing
Output @ Frequency:	100.000 HP @ 60 HZ	Motor Lead Quantity/Wire Size:	12 @ 6 AWG
Synchronous Speed @ Frequency:	3600 RPM @ 60 HZ	Motor Lead Exit:	Ko Box
Voltage @ Frequency:	200.0 V @ 60 HZ	Motor Lead Termination:	Flying Leads
	400.0 V @ 60 HZ	Motor Type:	4260M
Agency Approvals:	UL	Mounting Arrangement:	F1
	CSA EEV	Power Factor:	89
Auxillary Box:	No Auxillary Box	Product Family:	Fire Pump Motor
Auxillary Box Lead Termination:	None	Pulley End Bearing Type:	Ball
Base Indicator:	No Mounting	Pulley Face Code:	C-Face
Bearing Grease Type:	Polyrex EM (-20F +300F)	Pulley Shaft Indicator:	Tapped & Key
Blower:	None	Rodent Screen:	Included
Current @ Voltage:	130.000 A @ 400.0 V	Shaft Extension Location:	Pulley End
	260.000 A @ 200.0 V	Shaft Ground Indicator:	No Shaft Grounding
Design Code:	B	Shaft Rotation:	Reversible

<b>Drip Cover:</b>	Drip Cover	<b>Shaft Slinger Indicator:</b>	Shaft Slinger
<b>Duty Rating:</b>	CONT	<b>Speed Code:</b>	Single Speed
<b>Electrically Isolated Bearing:</b>	Not Electrically Isolated	<b>Motor Standards:</b>	NEMA
<b>Feedback Device:</b>	NO FEEDBACK	<b>Starting Method:</b>	Wye Start - Delta Run
<b>Front Face Code:</b>	Standard	<b>Thermal Device - Bearing:</b>	None
<b>Front Shaft Indicator:</b>	None	<b>Thermal Device - Winding:</b>	None
<b>Heater Indicator:</b>	No Heater	<b>Vibration Sensor Indicator:</b>	No Vibration Sensor
<b>Insulation Class:</b>	F	<b>Winding Thermal 1:</b>	None
		<b>Winding Thermal 2:</b>	None

Nameplate NP3454L											
CAT.NO.	VJPFPM2550T-2/4			CUST P/N				I.P.	23		
SPEC.	42E361W983H2			SER.NO.				FRAME	365JP		
HZ	60	HP	100	RPM	3530	HZ		HP		RPM	
VOLTS	200/400			CODE	F	VOLTS				CODE	
AMPS	260/130			DES	B	AMPS				DES	
EFF	93	SER.F.	1.15	PF	89	EFF				SER.F.	
RATING	40C AMB-CONT			DE BRG	6313			GREASE	POLYREX EM		
BLANK				ODE BRG	6311			MTR. WT.	523		
				CLASS	F			PH	3		
				ENCL	OPSB			CC	010A		
HTR-VOLTS		HTR-AMPS		HTR-WATTS							

Parts List		
Part Number	Description	Quantity
SA336201	SA 42E361W983H2	1.000 EA
RA324434	RA 42E361W983H2	1.000 EA
HA6360	LIFTING LUG FOR 42 FRAME MOTORS.	2.000 EA
HA6017	CAST ADAPTER, 40,42 KOBX	1.000 EA
19XW3118A12	.31-18 X .75 HEX WASHER HEAD TAPTITE II	2.000 EA
HW1001A31	LOCKWASHER 5/16, ZINC PLT.591 OD, .319 I	2.000 EA
12CB1002A48	CONDUIT BOX, W/3.62 DIA. LEAD HOLE	1.000 EA
19XW3118A16	.31-18 HEX WASHER HEAD TAPTITE II 1.00 L	4.000 EA
HW1001A31	LOCKWASHER 5/16, ZINC PLT.591 OD, .319 I	4.000 EA
WD1000B53	TERMINAL BURNDY KPA34	1.000 EA
10XN5013K10	1/2-13 X .625 HEX HD, GRADE 5	1.000 EA
HW1001A50	LOCKWASHER 1/2, ZINC PLT.,.879 OD, .509 I	1.000 EA
42EP3200A02	FR ENDPLATE, MACH	1.000 EA
HA1108A01	RODENT SCREEN	1.000 EA
51XW1032A06	10-32 X .38, TAPTITE II, HEX WSHR SLTD S	4.000 EA
HW5100A13	W4627-047 WVY WSHR	1.000 EA
42EP1400A03	PU ENDPLATE, MACH W/ RODENT SCREENS	1.000 EA
HA1165A02	RODENT SCREEN FOR 42 PU. C-FACE E.P.	1.000 EA
51XW1032A06	10-32 X .38, TAPTITE II, HEX WSHR SLTD S	1.000 EA
10XN3816K56	3/8-16 X 3 1/2 HEX HEAD MACHINE SCREW,	4.000 EA
HW1001A38	LOCKWASHER 3/8, ZINC PLT .688 OD, .382 I	4.000 EA
HA7204	"L" SHAPE LIFTING LUG FOR 42 FRAME MOTOR	2.000 EA
XY5013A12	NUT,1/2-13,HEX,STEEL,ZINCPLATED	8.000 EA
42FH2500A01	DRIP COVER MOD 42 OPEN	1.000 EA

Parts List (continued)		
Part Number	Description	Quantity
10XN2520K12	1/4-20 X.75 GRD 5	4.000 EA
HW1001A25	LOCKWASHER 1/4, ZINC PLT .493 OD, .255 I	4.000 EA
18CB1501A01	CONDUIT BOX LID, MODEL 318 OPEN	1.000 EA
10XN3118K16	5/16-18 X 1' GRADE #5, STL, ZINC PLATE	4.000 EA
HW1001A31	LOCKWASHER 5/16, ZINC PLT.591 OD, .319 I	4.000 EA
HW4600B82	V-RING SLINGER 2.500 X 2.900 X .28 VITON	1.000 EA
HW2501G18	SQUARE STEEL KEY .375 X 2.00 LONG	1.000 EA
LB1115N	LABEL,LIFTING DEVICE (ON ROLLS)	1.000 EA
LB1182	WARNING LABEL FOR MOTORS WITH EYENUTS	1.000 EA
HA4051A00	PLASTIC CAP FOR GREASE FITTING	1.000 EA
HW4500A03	GREASE FITTING, .125 NPT 1610(ALEMITE) 8	1.000 EA
HW4500A17	317400 ALEMITE GREASE RELIEF	1.000 EA
MJ1000A02	GREASE, MOBIL POLYREX EM - 124047	0.030 LB
HA4051A00	PLASTIC CAP FOR GREASE FITTING	1.000 EA
HW4500A03	GREASE FITTING, .125 NPT 1610(ALEMITE) 8	1.000 EA
HW4500A17	317400 ALEMITE GREASE RELIEF	1.000 EA
MG1025R44	WILKOFASST, 784.109, CARMINE RED #3002	0.050 GA
85XU0407S04	4X1/4 U DRIVE PIN STAINLESS	4.000 EA
HA3151A08	THRUBOLT STUD 1/2-13 X 21.000	4.000 EA
42AD2001B01	BAFFLE PLATE 42 OPEN, SLOTTED BAND MTRS	1.000 EA
42AD2001B01	BAFFLE PLATE 42 OPEN, SLOTTED BAND MTRS	1.000 EA
LB1119N	WARNING LABEL	1.000 EA
LC0104A01	CONNECTION DIAGRAM	1.000 EA
NP3454L	ALUM FIRE PUMP MOTOR(LEGACY/BALDOR ONLY)	1.000 EA

44PA1000	PK GP COMB PRINT 39-3/8X31X23-7/8	1.000 EA
MN416A01	TAG-INSTAL-MAINT no wire (1200/bx) 3/19	1.000 EA

**AC Induction Motor Performance Data**

Record # 54843 - Typical performance - not guaranteed values

<b>Winding:</b> 42WGW983-R001	<b>Type:</b> 4260M	<b>Enclosure:</b> OPSB
-------------------------------	--------------------	------------------------

Nameplate Data				400 V, 60 Hz: High Voltage Connection	
Rated Output (HP)	100			Full Load Torque	148 LB-FT
Volts	200/400			Start Configuration	direct on line
Full Load Amps	260/130			Breakdown Torque	511 LB-FT
R.P.M.	3530			Pull-up Torque	203 LB-FT
Hz	60	Phase	3	Locked-rotor Torque	247 LB-FT
NEMA Design Code	B	KVA Code	F	Starting Current	795 A
Service Factor (S.F.)	1.15			No-load Current	30.8 A
NEMA Nom. Eff.	93	Power Factor	89	Line-line Res. @ 25°C	0.0458 Ω
Rating - Duty	40C AMB-CONT			Temp. Rise @ Rated Load	56°C
S.F. Amps				Temp. Rise @ S.F. Load	67°C
				Locked-rotor Power Factor	20.8
				Rotor inertia	4.69 LB-FT <sup>2</sup>

Load Characteristics 400 V, 60 Hz, 100 HP

% of Rated Load	25	50	75	100	125	150	S.F.
Power Factor	66	83	87	89	88	87	88
Efficiency	91.9	94	94	93.2	92.2	90.7	92.6
Speed	3587	3572	3555	3536	3515	3491	3523
Line amperes	44.7	69.6	98.8	130	164	201	150

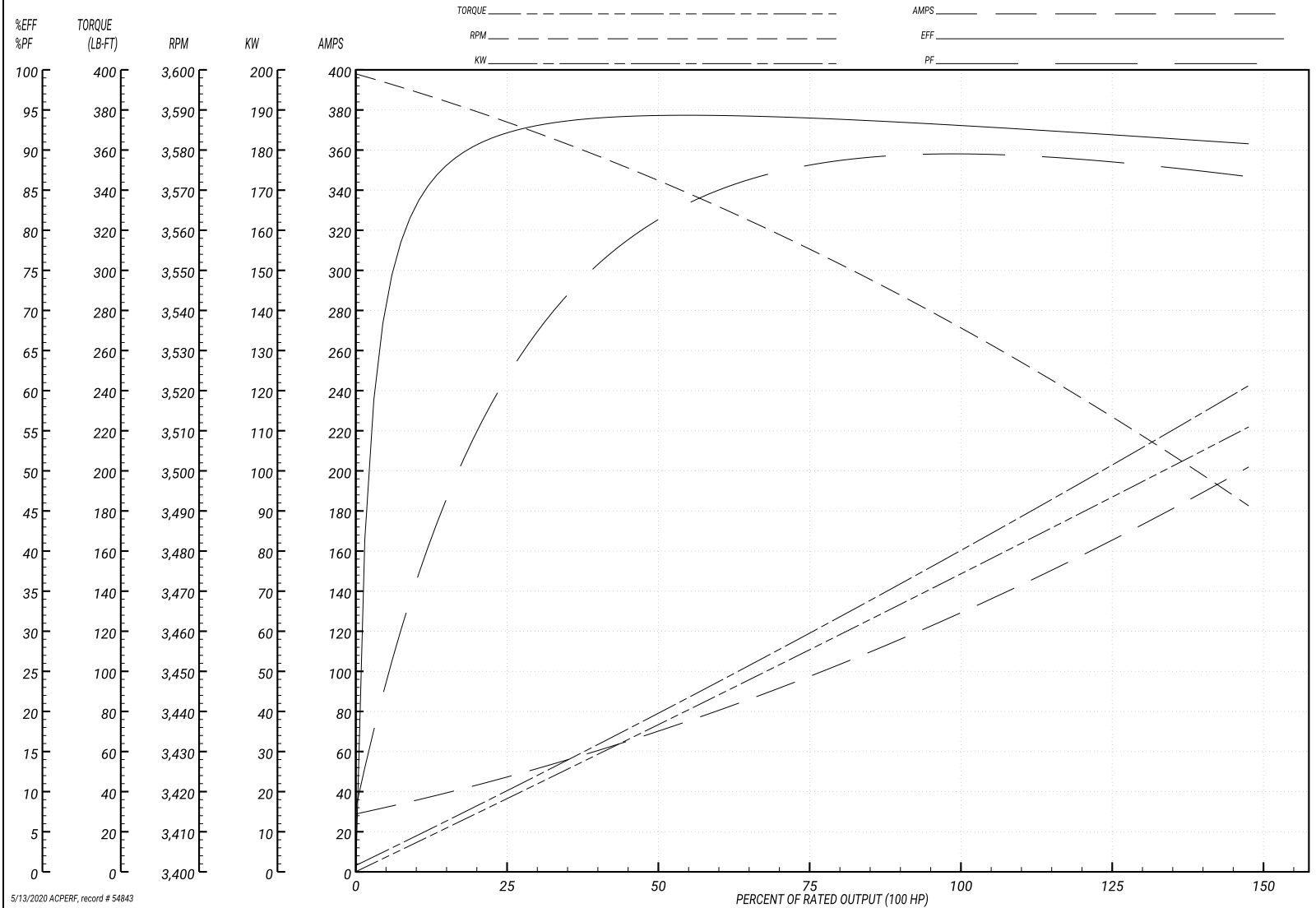
Performance Graph at 400V, 60Hz, 100.0HP Typical performance - Not guaranteed values

ABB Motors and Mechanical Inc.

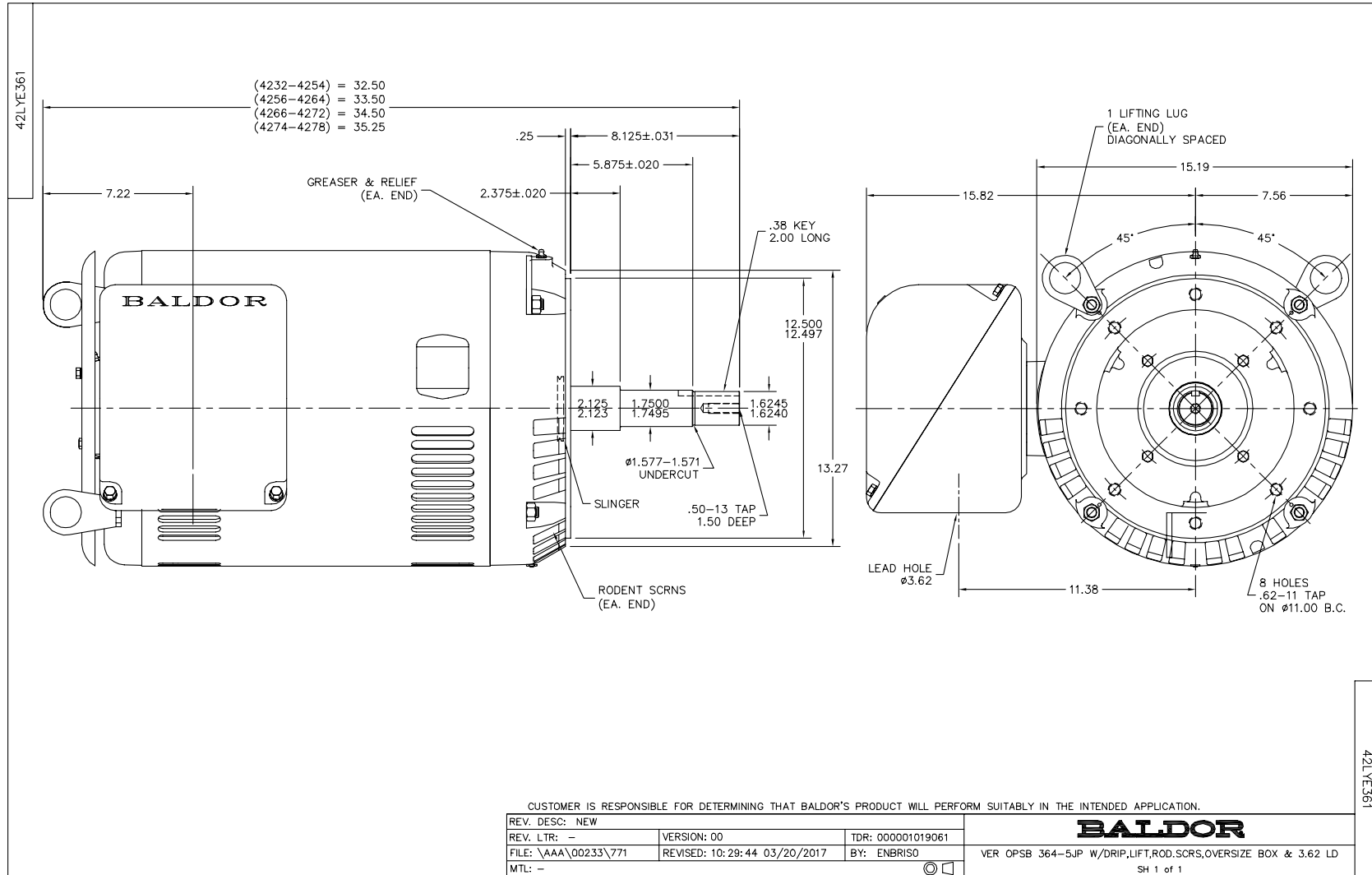
WINDING # 42WGW983

Typical performance - not guaranteed values.

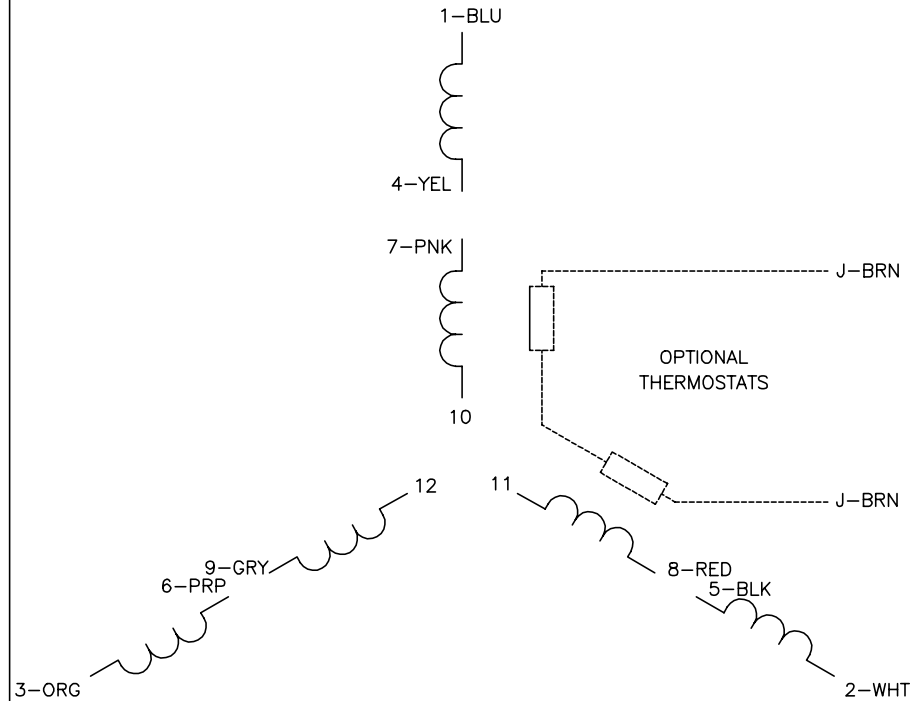
100 HP 3 PH 60 HZ 3530 RPM 400 V 4260M  
 TORQUES(LB-FT): PO=511 PU=203 LR=247 LRA=795



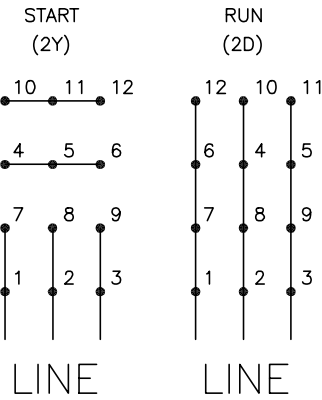
5/13/2020 ACPERF, record # 54843



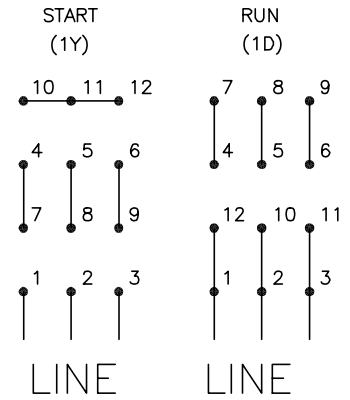
CD0104



**LOW VOLTAGE**



**HIGH VOLTAGE**



**NOTES:**

1. INTERCHANGE ANY TWO LINE LEADS TO REVERSE ROTATION.
2. OPTIONAL THERMOSTATS ARE PROVIDED WHEN SPECIFIED.
3. ACTUAL NUMBER OF INTERNAL PARALLEL CIRCUITS MAY BE A MULTIPLE OF THOSE SHOWN ABOVE.
4. LEAD COLORS ARE OPTIONAL. LEADS MUST ALWAYS BE NUMBERED AS SHOWN.

CD0104

REV. DESC: ADD CLASS CONN00000007		
REV. LTR: D	VERSION: 01	TDR: 000001099922
FILE: \AAA\00008\377	REVISED: 09:02:55 02/19/2019	BY: ENBRIRO
MTL: -	© □	

**BALDOR - RELIANCE®**

3PH, DV, 12 LEADS, Y START/D RUN

SH 1 of 1

Marketing maintained PDF of MN416:

<http://www.baldor.com/support/Literature/Load.ashx/MN416?ManNumber=MN416>